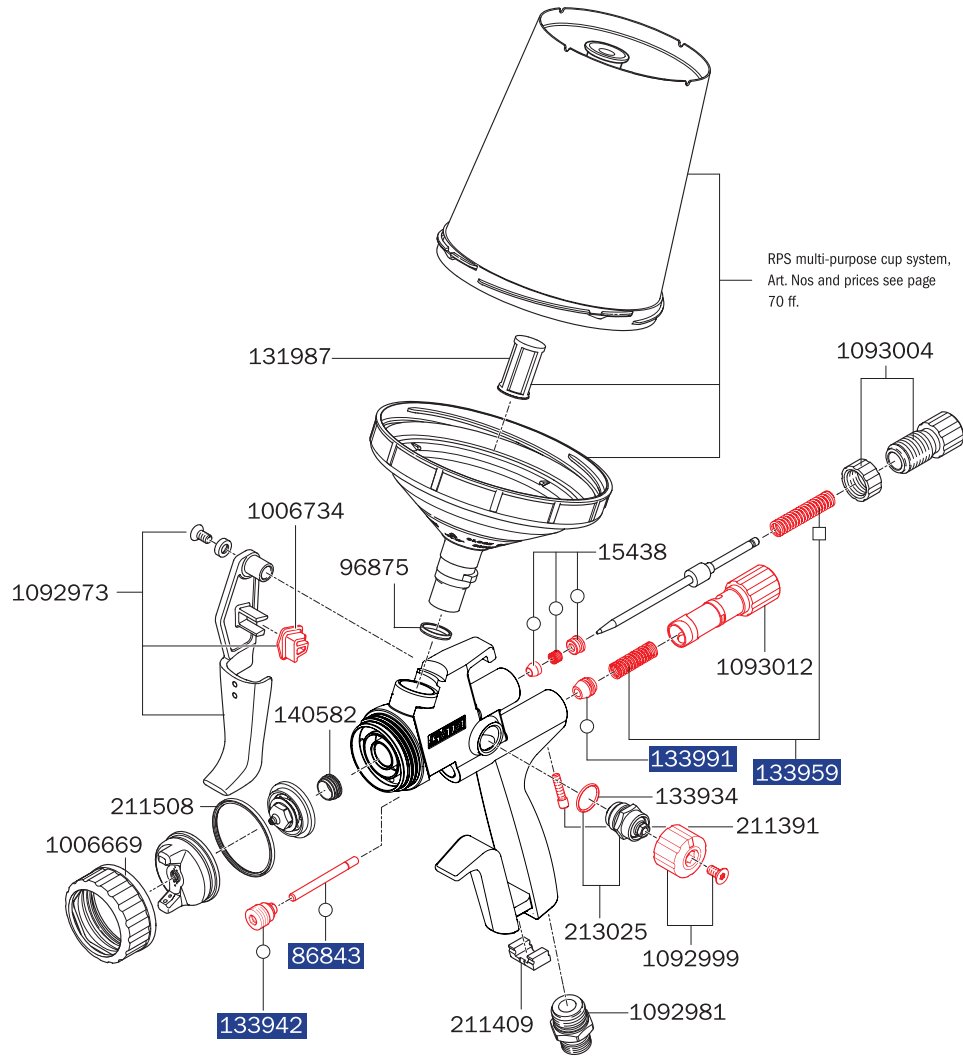


Spare Parts SATAJet® X 5500 PHASER

Art. No./Descr.	
15438	
Paint needle packing	
86843	
Air piston rod	
96875	PVC insert for paint spray guns with QCC cup connection
131987	Spare plug-in sieve 200 µm, pastel green (packing unit 100 pieces)
133934	Sealing (packing unit 3 pieces) for spindle
133942	Seal retainer, cpl.
133959	Pressure spring (3 pieces) for paint needle and air piston
133991	Air piston head (packing unit 3 pieces)
140582	Sealing element (packing unit 5 pieces) for fluid tip
211391	Locking screw (packing unit 3 pieces) for air micrometer
211409	CCS-Clips, green, blue, red, black (packing unit 4 pieces)
211508	Sealing ring (packing unit 5 pieces)
213025	Spindle, cpl., for round / flat spray control
1006669	Kit consisting of coloured marking rings (blue, green, black, packing unit each 1 piece)
1006734	Trigger fixing clip
1057323	Tool kit
1092973	Trigger kit
1092981	Air connection piece 1/4" male thread
1092999	Control knob with screw (pack of 2 pieces)
1093004	Material flow control with counter nut
1093012	Air micrometer



SATA adam 2

Art. No./Descr.	
211557	
SATA adam 2 psi	
1031715	
SATA adam 2 black >psi<	
211565	
SATA adam 2 dock	
211573	
SATA adam 2 dock (packing unit 2 pieces)	

Art. No./Descr.	
1057323	
Tool kit	
- Universal spanner	
- Combi tool	
- Cleaning brush	
- CCS clips	
- Paint strainer	
1097379	Universal key kit (pack of 3 pieces)

Art. No./Descr.
1093020
Repair kit
82552
Air piston service unit
<input type="radio"/> 136960
Sealing kit

All prices are recommended list prices. Errors, technical modifications and printing errors reserved.